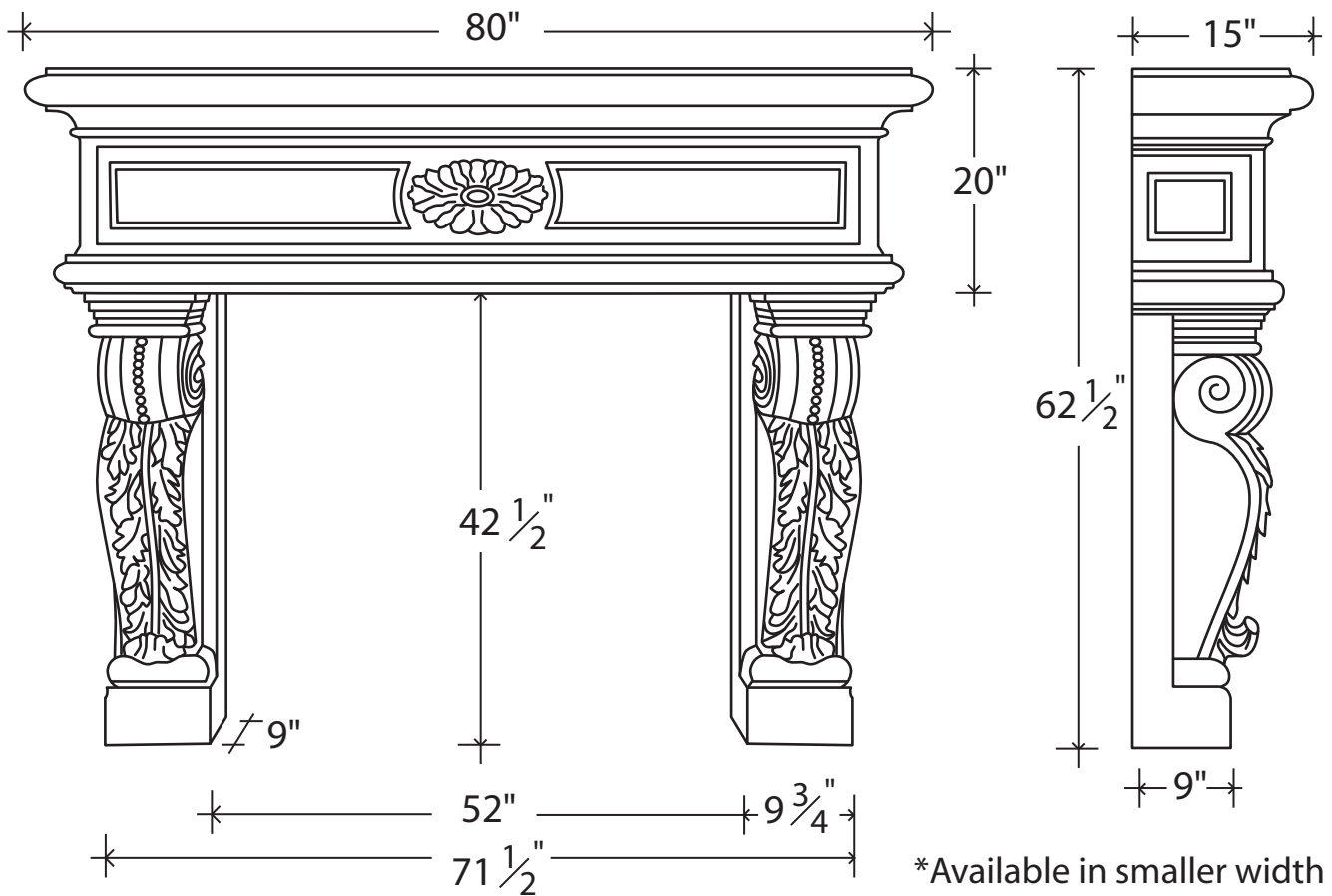


# Bologna



## Cast-Stone Fireplace Mantles & Accessories

Multi-Cast Design Inc. - 2800 14th Ave., Unit 5 - Markham, Ontario, Canada - L3R 0E4  
Tel 905.477.7330 / 1.888.23.MULTI - Fax 905.477.4330 - [www.multicastdesign.com](http://www.multicastdesign.com)