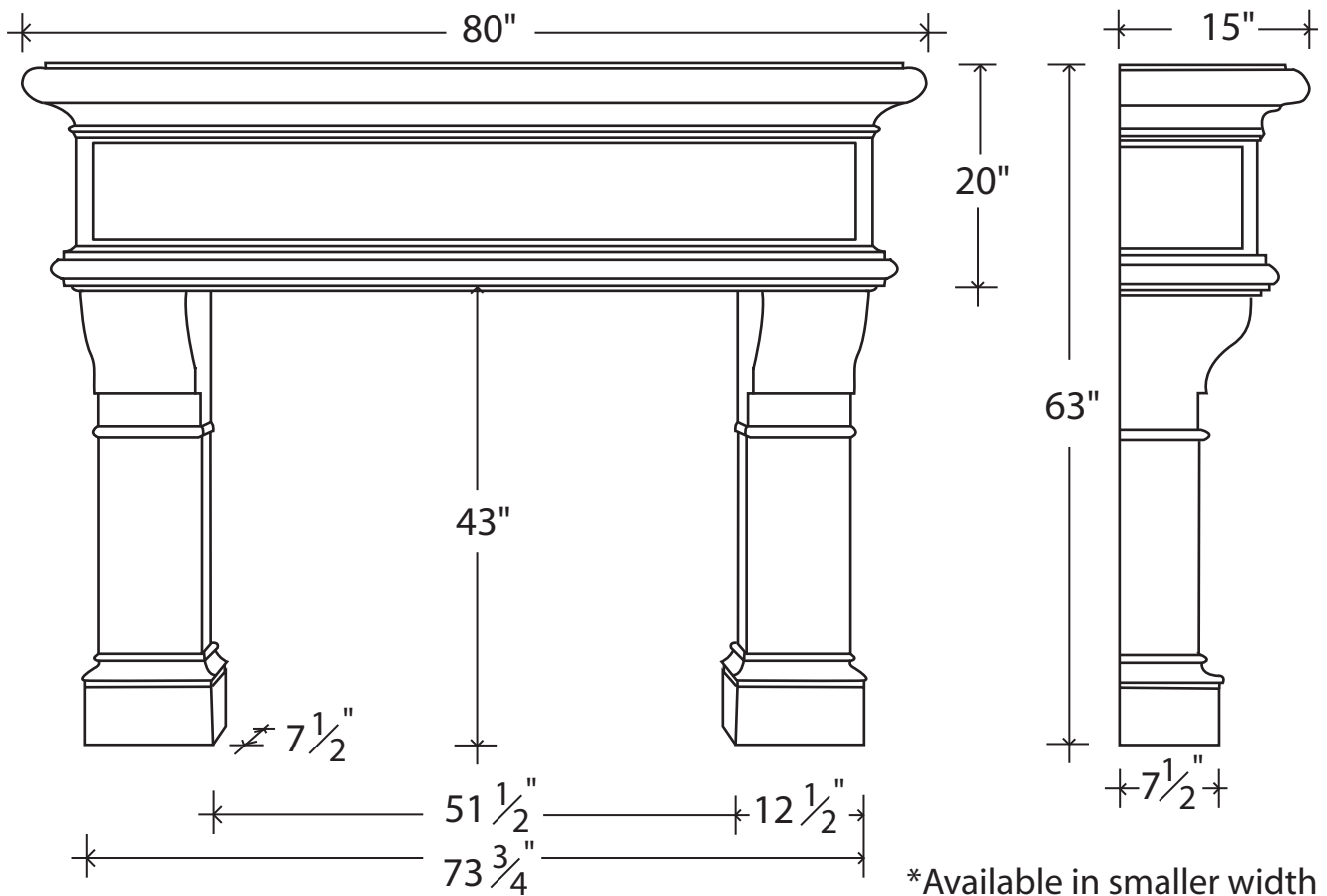


# Siena



## Cast-Stone Fireplace Mantles & Accessories

Multi-Cast Design Inc. – 2800 14th Ave., Unit 5 – Markham, Ontario, Canada – L3R 0E4  
Tel 905.477.7330 / 1.888.23.MULTI – Fax 905.477.4330 – [www.multicastdesign.com](http://www.multicastdesign.com)